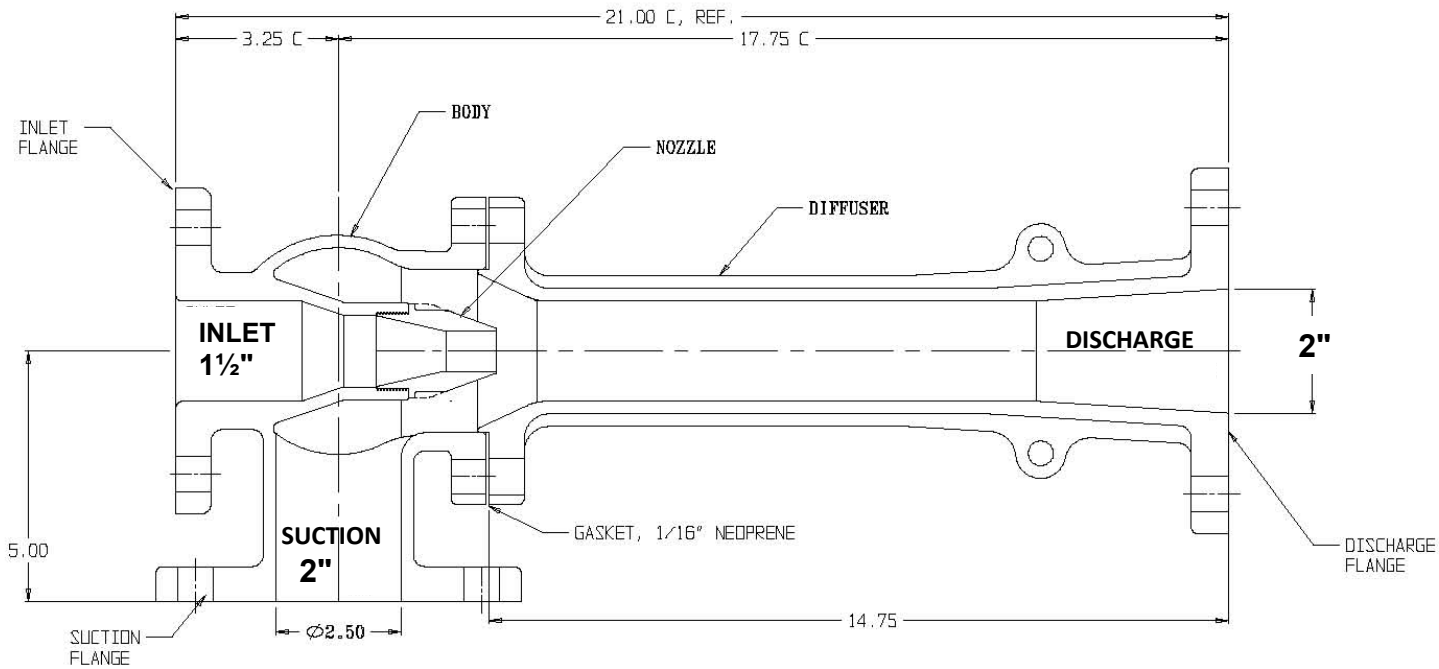


VITA MOTIVATOR CO.

VM # 926-2" Stripping Eductor 1½" x 2" x 2"



Flange Data : PER ANSI B16.24

150 LB CLASS

	INLET	SUCTION & DISCH.
ID	1½"	2"
OD	5"	6"
B.C.	3⅞"	4¾"
# Holes	4	4
Hole Ø	⅝"	¾"

General Operating Conditions

- **Motive Pressure** Up to 175 PSI
- **Motive Flow** Up to 225 GPM
- **Suction Lift** Up to -23 Feet
- **Discharge Head** Up to 80 Feet
- **Suction Capacity** Up to 155 GPM



926-2" Bill of Materials

Part #	Part Name	Qty	Material
92-6-A	Body	1	BRONZE ASTM B62
92-6-B	Diffuser	1	BRONZE ASTM B62
92-6-C	Nozzle	1	MONEL
92-6-D	Bolts	6	316 Stainless Steel
92-6-E	Nut	6	316 Stainless Steel
92-6-F	Lockwasher	6	316 Stainless Steel
92-6-G	Gasket	1	Garlock Gylon 3510

UNLESS OTHERWISE SPECIFIED
 1. REMOVE ALL BURRS, BREAK ALL OUTSIDE CORNERS
 EDGES .005 TO .010 X 45 DEG. CHAMFER
 2. STANDARD TOLERANCE .XX = ± .01 .XX C = ± .06
 .XXX = ± .005 .XXXX = ± .0005 FRACTIONS = ± .01
 CONCENTRICITY = ± .005 ANGULAR = ± .5 DEG

MATERIAL :

BRONZE

926-2" Bilge & Ballast Stripping Eductor 1½" x 2" x 2"

CHKD BY _____ DATE _____
 APPD BY _____ DATE _____
 SCALE HALF SHEET 1 OF 2

VITA-MOTIVATOR CO., INC.
 TEANECK, N.J.

DO NOT SCALE DRAWING

PART NO.

DRAWING NO. [926-2 1/2] REV C